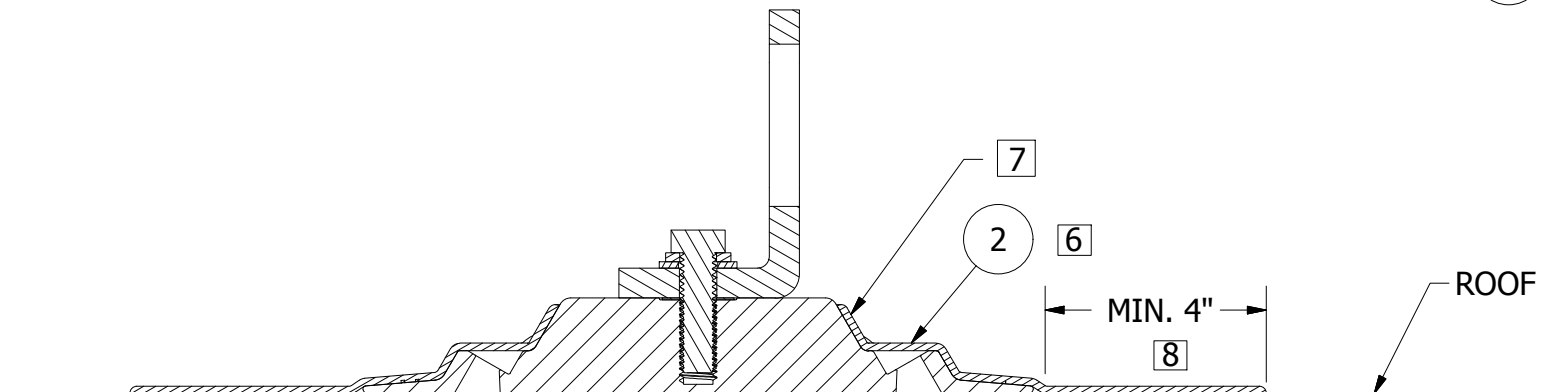
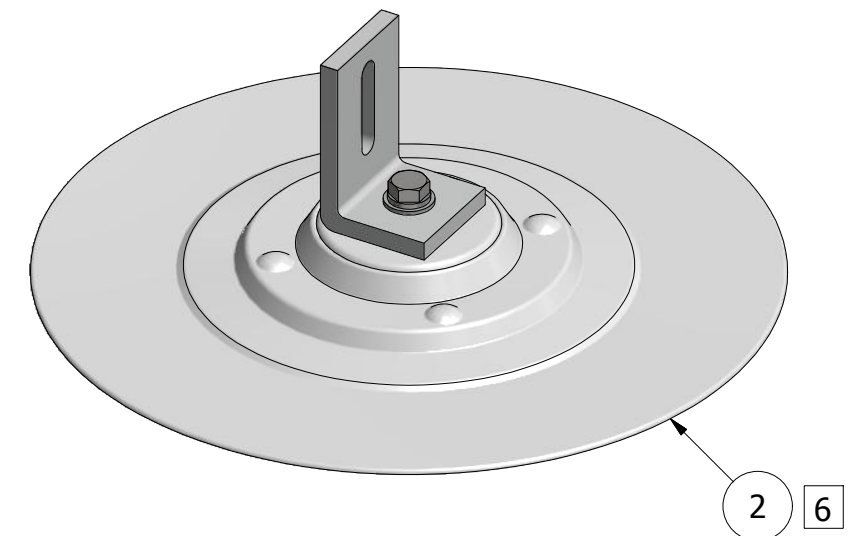
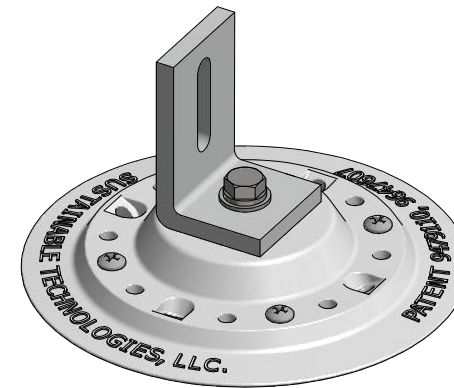


FACET, BRACKET AND SEAL FOR BUR AND EPDM

| PARTS LIST | | |
|------------|------|--|
| ITEM | QTY | DESCRIPTION |
| 1 | 1 | Molded Facet Assembly |
| 2 | 1 | Seal |
| 3 | 1 | Bracket - Generic |
| 4 | 1 | 3/8 Flat Washer - Recommend 300 Series SS |
| 5 | 1 | 3/8-18 Bolt - Recommend 300 Series SS |
| 6 | 1 | 3/8 Split Washer - Recommend 300 Series SS |
| 7 | 2-16 | Roof Screw |

NOTES:

1. This drawing is intended for a guide and is project-dependent. The project's structural engineer is to review and approve.
2. The maximum screw size is #15. The structural engineer is to specify the screw type, size and quantity. The angled and vertical screws should be symmetrical on the Facet.
3. If the Facet is accessible, the bracket and racking can be installed prior to screw and silicone seal.
4. Remove the PSA washer top protective liner prior to attaching the bracket.
5. The 3/8-16 threaded hole in the Facet has a 0.80 inch minimum thread depth. The project structural engineer needs to determine the minimum thread length engagement in the Facet threaded hole for the project. The bolt length can be determined by the minimum thread depth, the minimum thread engagement, and the bracket and washer thicknesses.
6. Apply Henry's Pro-Grade Silicone Fibered Roof Seal or other seal approved by the roofer. Follow manufactures' application procedures. All sealing should be performed by a qualified roofer for the product used.
7. Sealant should extend to this surface as shown. Extending above is allowed.
8. For Henry's Pro-Grade Silicone, extend a minimum of 4 inches beyond the facet's outside edge. A minimum of 1/8" wet thickness required.
9. Initial torque setting for the bolt is 20 ft-lbs.
10. If a serrated flange bolt is used, the washer and lockwasher can be eliminated.



St Sustainable Technologies
 2543 Warren Drive, Rocklin, CA 95677
 916.824.3080
 www.sustainabletechnologiesllc.com

PATENTS 9479110, 9647607, & PENDING PATENTS

INSTRUCTIONS

REV DATE: 10/2/17

MATERIAL:

NOT TO SCALE

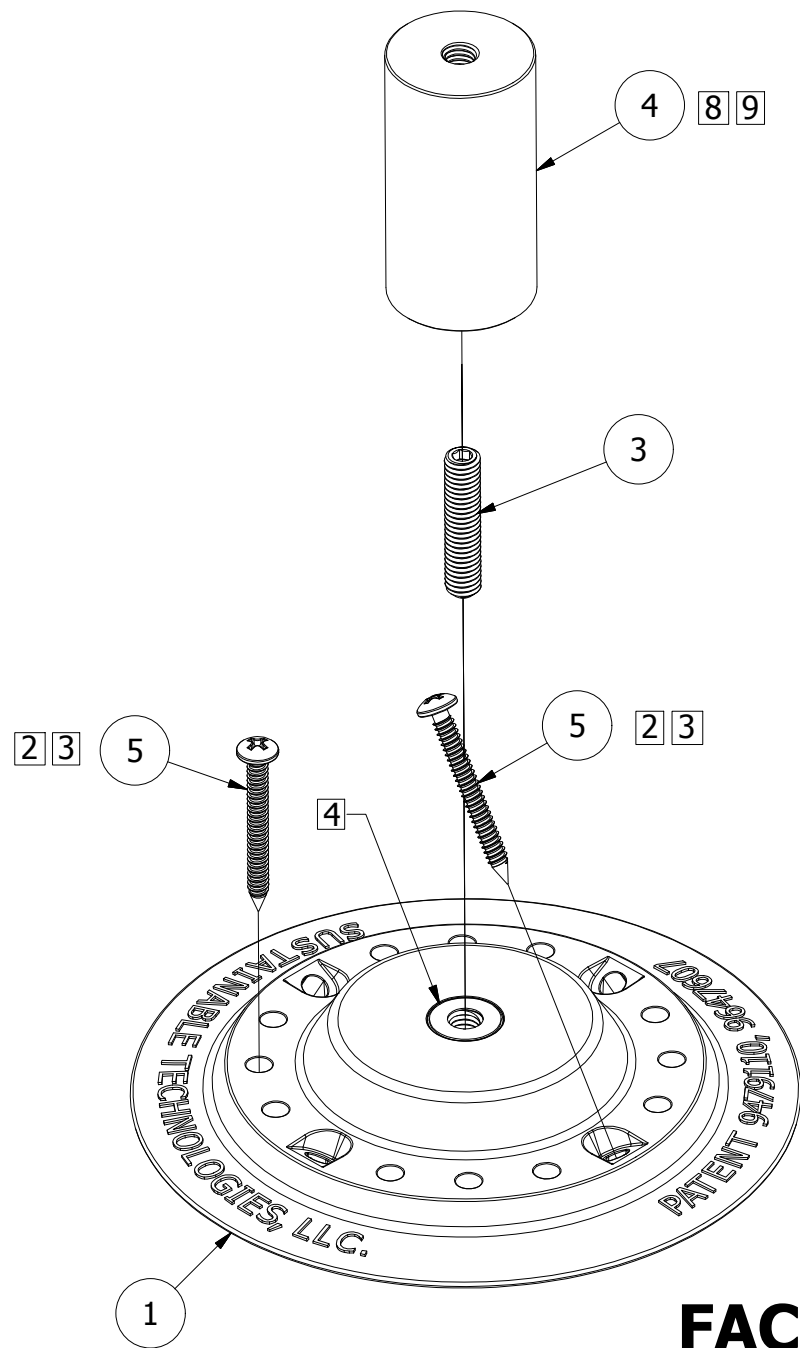
MOLDED FACET SEAL ASSY

IN0004-01

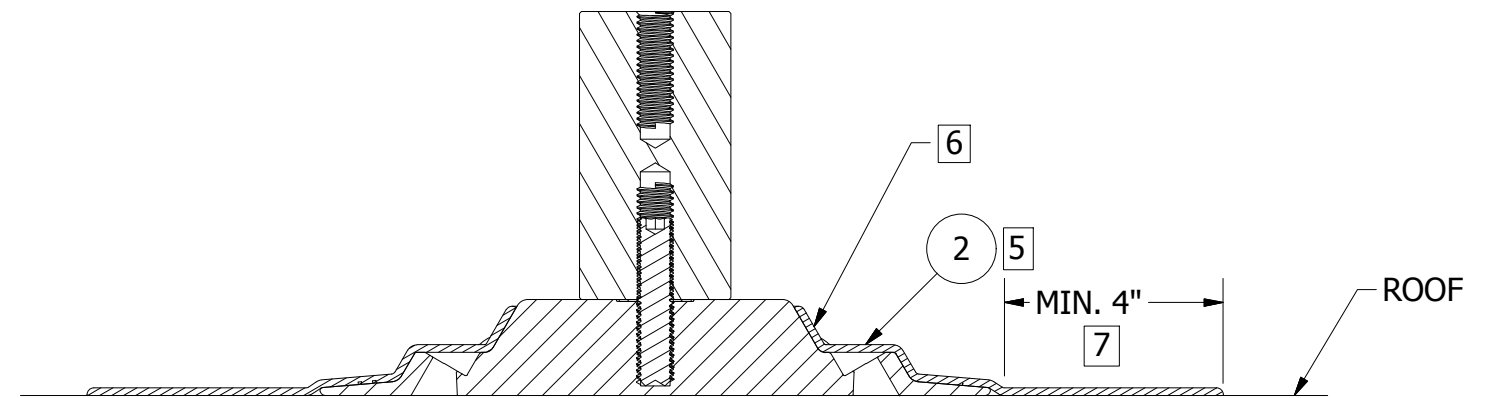
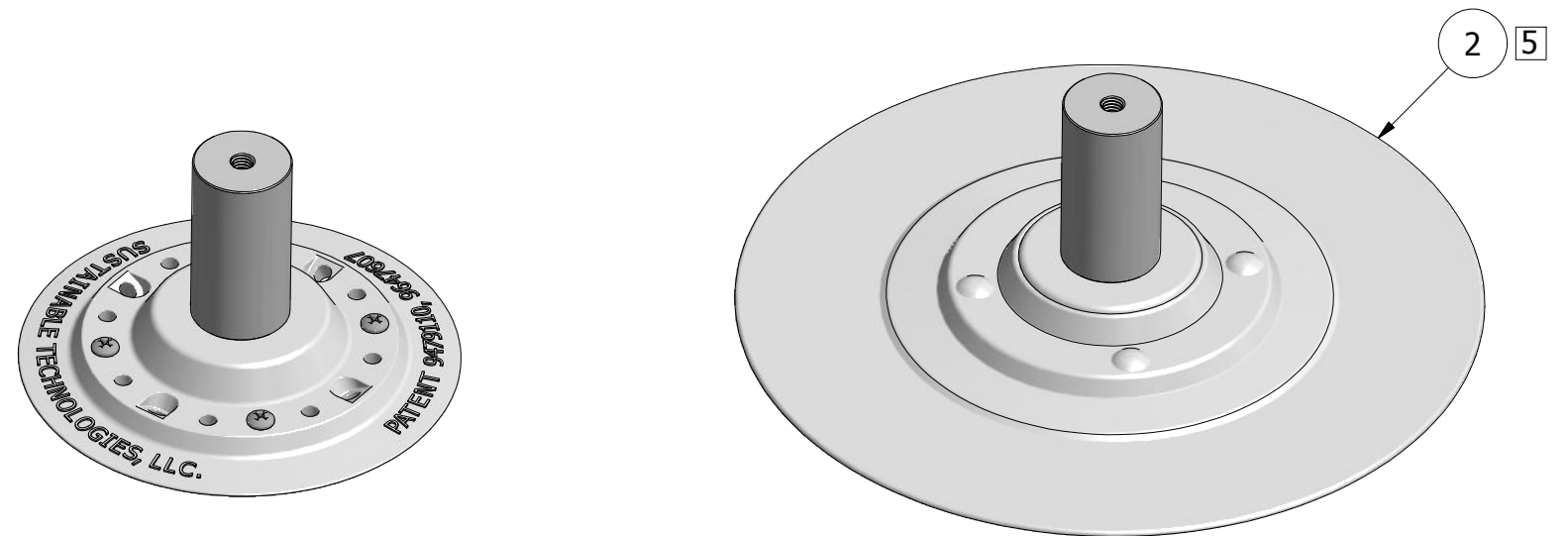
SHEET 1 OF 2

NOTES:

1. This drawing is intended for a guide and is project-dependent. The project's structural engineer is to review and approve.
2. The maximum screw size is #15. The structural engineer is to specify the screw type, size and quantity. The angled and vertical screws should be symmetrical on the Facet.
3. If the Facet is accessible, the stanchion and racking can be installed prior to the roof screws and seal.
4. Remove the PSA washer top protective liner prior to attaching the stanchion.
5. Apply Henry's Pro-Grade Silicone Fibered Roof Seal or other seal approved by the roofer. Follow manufactures' application procedures. All sealing should be performed by a qualified roofer for the product used.
6. Sealant should extend to this surface as shown. Extending above is allowed.
7. For Henry's Pro-Grade Silicone, extend a minimum of 4 inches beyond the facet's outside edge. A minimum of 1/8" wet thickness required.
8. Initial torque setting for the stanchion is 20 ft-lbs.
9. Stanchion height is variable.



FACET, STANCHION AND SEAL FOR BUR AND EPDM



| PARTS LIST | | |
|------------|------|--|
| ITEM | QTY | DESCRIPTION |
| 1 | 1 | Molded Facet Assembly |
| 2 | 1 | Seal |
| 3 | 1 | 3/8-16 x 1.75" SS Socket Head Set Screw-Cup - Recommend 300 SS |
| 4 | 1 | Stanchion |
| 5 | 2-16 | Roof Screw |

St Sustainable Technologies
 2543 Warren Drive, Rocklin, CA 95677
 916.824.3080
 www.sustainabletechnologiesllc.com

PATENTS 9479110, 9647607, & PENDING PATENTS

INSTRUCTIONS

REV DATE: 10/2/17

MATERIAL:

NOT TO SCALE

MOLDED FACET SEAL ASSY

IN0004-01

SHEET 2 OF 2